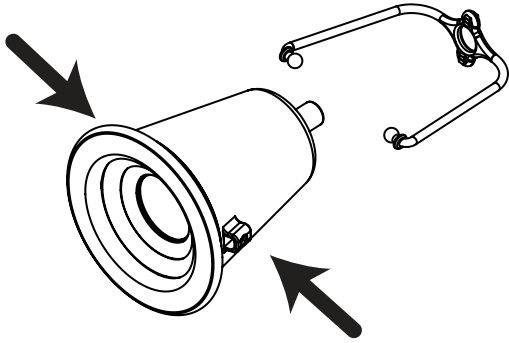


SNOOTS INSTRUCTIONS

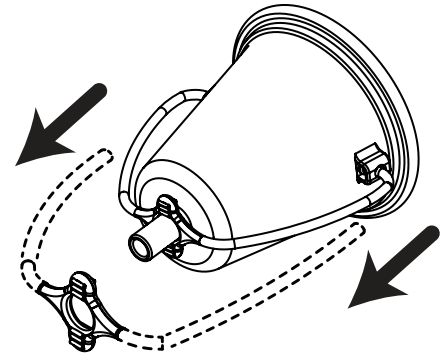
STEP 1:

Attach the head straps to the side of the cone.



STEP 2:

Pull the head straps out of the storage position and around the cone.



STEP 3:

Position the cone around the patient's snout and the strap around the patient's head.



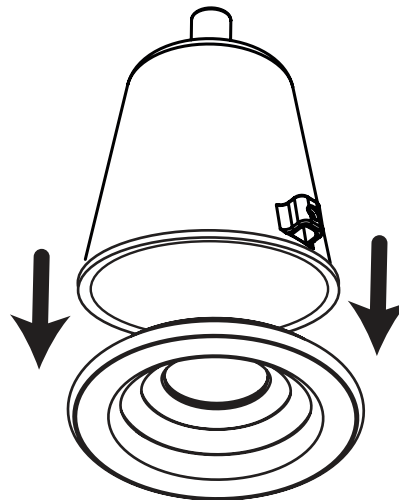
STEP 4:

Check to make sure the bellow gasket has a good seal and attach the tube to the cone.



STEP 5 (DLX MODEL ONLY):

Twist off the gasket to change out to a different aperture, (2 vs 3 bellows), to clean, and to allow access to replace the safety plug.



Avoid exposures above 100° F for extended periods, especially if the strap is stored under tension.

www.snoutsveterinary.com

SNOOTS

DYNAMIC SEAL FACE MASK

Our “SNOOTS” dynamic seal face masks are a new paradigm in a product that has NEVER been improved (in at least the 41 years I’ve been a DVM). The “OLD STYLE” JORVET masks are now obsolete. They offer no potential of a dynamic seal. A dynamic seal takes RESISTANCE. You can’t get resistance with a passive 2-D rubber gasket with a hole in it!! SNOOTS TECH creates the first ever 3-D bellows gasket AND first ever integrated HEAD STRAP. Both of these patent pending features provide RESISTANCE!! This insures an OPTIMAL SEAL to provide for a more efficient delivery of gas and significantly less leakage (=STAFF EXPOSURE!)

Now available in our 2.5” standard unit and 5” DLX units. All come with two head straps. Our DLX model features a MOLDED ON TWIST OFF gasket with either 2 or 3 ring gaskets! Easier to change, clean and won’t fall off like the Jorvet’s.

**Regard,
W. L. Connelly DVM
1980 KSU**